

ATLAS KOMPAKT

Excavator AC 08B



Operating Weight	1.01t(rubber track)
Engine Power	7.2kW/2400rpm
Engine Brand	YANMAR
Standard Bucket Capacity	0.022m ³
Max. Digging Depth	1.82m

Excavator AC 08B

Parameter

ENGINE

Brand	Yanmar
Model	2TNV70
Type	2-cylinder water-cooled indirect injection
Displacement	0.57 L
Power	7.2 kW/2400 rpm

DIMENSIONS

Counterweight Clearance	410 mm
Tail Swing Radius	750 mm
Shipping Length	2640 mm
Shipping Width	740 mm
Shipping Height	2125 mm

ELECTRIC SYSTEM

Nominal Voltage	12 V
Batteries	36 Ah
Alternator	12 V-40 A
Starter	12 V-1.0 kW

WORKING RANGES

Max. Cutting Height	3082 mm
Max. Loading Height	2304 mm
Max. Digging Depth	1824 mm
Max. Vertical Wall Digging Depth	1439 mm
Max. Digging Reach	3178 mm
Max. Reach at Ground Level	3082 mm
Bucket Digging Force	9.4 kN
Stick Digging Force	5.8 kN
Ground Pressure	24.5 kPa
Swing Speed	8.2 rpm

DRIVE

Max. Travel Speed (2nd/1st)	2.9/1.5 km/h
Gradeability	30°
Max. Traction	9.4 kN

UNDERCARRIAGE

Undercarriage Width	740/900 mm
Shoe Width	180 mm
Length to Center of Rollers	900 mm
Track Length	1224 mm
Track Height	330 mm

CAPACITY

Fuel Tank	10 L
Hydraulic Oil Tank	9.5 L

BULLDOZING BOARD

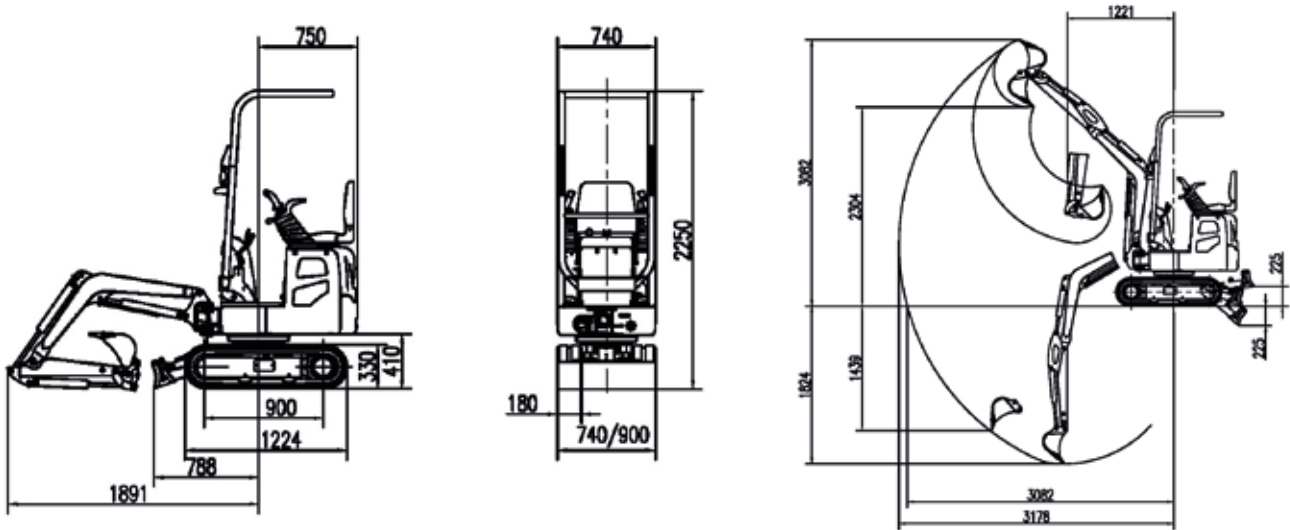
Independent Moving, Controlled By The Gear Shift Lever	
Length X Width	900X197 mm
Max. Lifting Height	225 mm
Max. Cutting Depth	225 mm

HYDRAULIC SYSTEM

Main Pumps	
Type	3 gear pumps
Displacement	3x9.6 L/min
Working Pressure	2x16 MPa

Excavator AC 08B

Working Ranges

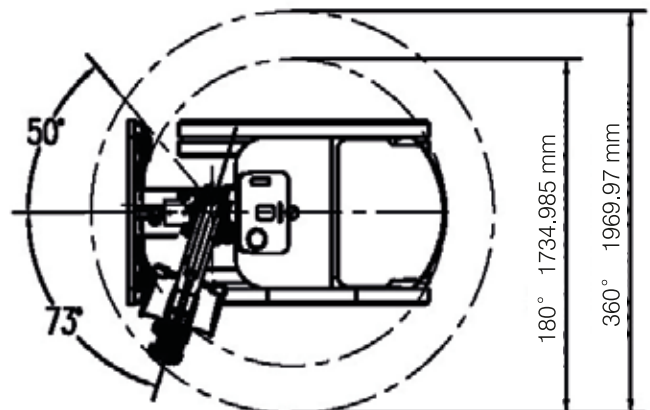


Load Capacity

B(m)	A(m)	MAX		2.0 m		1.5 m		1.0 m	
		Front(kg)	Side(kg)	Front(kg)	Side(kg)	Front(kg)	Side(kg)	Front(kg)	Side(kg)
2.0		119.60*	86.60	129.20*	107.30	—	—	—	—
1.5		148.40*	66.00	177.10*	99.00	191.40*	169.20	—	—
1.0		157.90*	61.90	100.50*	94.90	167.50*	148.50	416.40*	264.00
0.5		157.90*	61.90	172.30*	86.60	291.90*	132.00	488.20*	227.00
0.0		196.20*	70.10	224.90*	86.60	349.40*	136.20	445.10*	202.20
-0.5		186.60*	74.30	224.90*	82.50	330.20*	123.80	392.40*	177.40
-1.0		205.80*	127.90	—	—	224.90*	136.20	287.10*	243.40

Notes:

- 1) Load with * is limited by hydraulic capacity and based on ISO 10567. Rated loads do not exceed 87% of hydraulic capacity.
- 2) Load without * is limited by tipping load and based on ISO 10567. Rated loads do not exceed 75% of tipping load.



ATLAS KOMPAKT GMBH
 Stedinger Straße 324
 27751 Delmenhorst
 Germany
WWW.ATLAS-KOMPAKT.COM