

# ATLAS KOMPAKT

## Excavator AC 25FU



|                          |                       |
|--------------------------|-----------------------|
| Operating Weight         | 2.65 t (rubber track) |
| Engine Power             | 14.6 kW/2400 rpm      |
| Engine Brand             | YANMAR                |
| Standard Bucket Capacity | 0.08 m <sup>3</sup>   |
| Max. Digging Depth       | 2.84 m                |

### Excavator AC 25FU

#### Parameter

##### ENGINE

|              |                                  |
|--------------|----------------------------------|
| Brand        | YANMAR                           |
| Model        | 3TNV80F-SPSU                     |
| Type         | 3-cylinder 4-stroke water cooled |
| Displacement | 1.267 L                          |
| Power        | 14.6 kW/2400 rpm                 |

##### DIMENSIONS

|                         |         |
|-------------------------|---------|
| Counterweight Clearance | 525 mm  |
| Tail Swing Radius       | 765 mm  |
| Shipping Length         | 4140 mm |
| Shipping Width          | 1500 mm |
| Shipping Height         | 2455 mm |

##### ELECTRIC SYSTEM

|                 |             |
|-----------------|-------------|
| Nominal Voltage | 12 V        |
| Batteries       | 63 Ah       |
| Alternator      | 12 V-40 A   |
| Starter         | 12 V-1.7 kW |

##### WORKING RANGES

|                                  |          |
|----------------------------------|----------|
| Max. Cutting Height              | 4355 mm  |
| Max. Loading Height              | 3010 mm  |
| Max. Digging Depth               | 2840 mm  |
| Max. Vertical Wall Digging Depth | 2580 mm  |
| Max. Digging Reach               | 4775 mm  |
| Max. Reach at Ground Level       | 4670 mm  |
| Bucket Digging Force             | 24 kN    |
| Stick Digging Force              | 12 kN    |
| Ground Pressure                  | 25.1 kPa |
| Swing Speed                      | 8.8 rpm  |

##### DRIVE

|                             |              |
|-----------------------------|--------------|
| Max. Travel Speed (2nd/1st) | 4.1/2.3 km/h |
| Gradeability                | 30°          |
| Max. Traction               | 30.7 kN      |

##### UNDERCARRIAGE

|                             |         |
|-----------------------------|---------|
| Undercarriage Width         | 1500 mm |
| Shoe Width                  | 300 mm  |
| Length to Center of Rollers | 1560 mm |
| Track Length                | 1990 mm |
| Track Height                | 475 mm  |

##### CAPACITY

|                |      |
|----------------|------|
| Fuel Tank      | 26 L |
| Hydraulic Tank | 24 L |

##### BULLDOZING BOARD

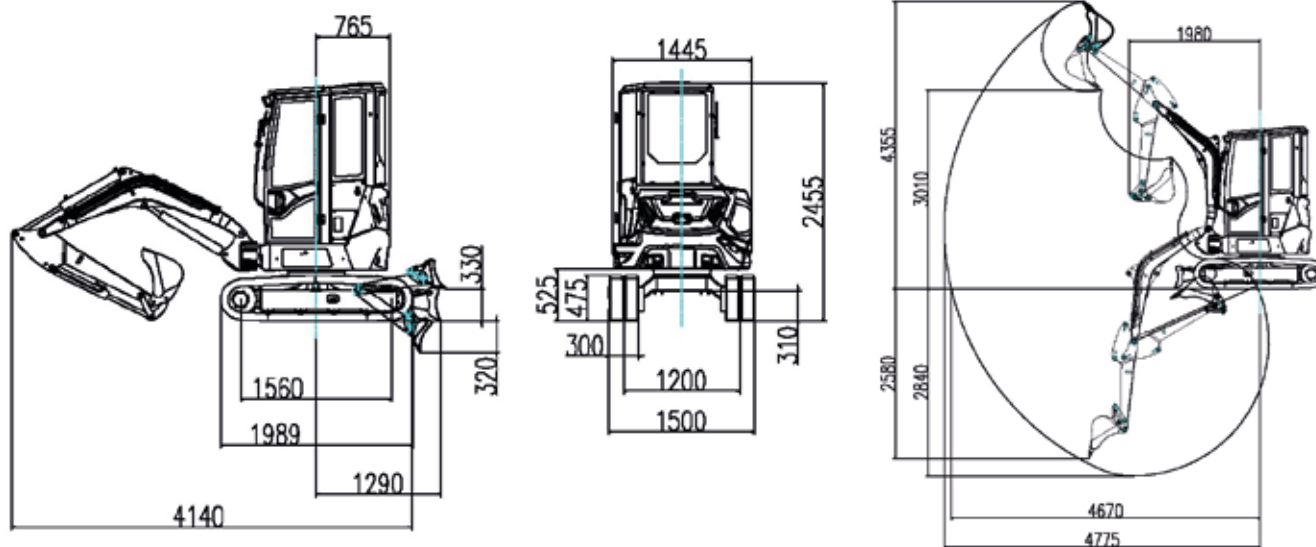
|  |             |
|--|-------------|
| independent moving, controlled by the gear shift lever |             |
| Length X Width   | 1500X340 mm |
| Max. Lifting Height                                    | 280 mm      |
| Max. Cutting Depth                                     | 320 mm      |

##### HYDRAULIC SYSTEM

|                  |  |
|------------------|--|
| Main Pumps       |  |
| Type             | 2 variable displacement pumps, 1 gear pump |
| Displacement     | 2x29+19.2+6.5 L/min                        |
| Working Pressure | 2x21.5+18 MPa                              |

# Excavator AC 25FU

## Working Ranges



## Load Capacity

| B(m) \ A(m) | MAX       |          | 3.5 m     |          | 3.0 m     |          | 2.5 m     |          | 2.0 m     |          |
|-------------|-----------|----------|-----------|----------|-----------|----------|-----------|----------|-----------|----------|
|             | Front(kg) | Side(kg) | Front(kg) | Side(kg) | Front(kg) | Side(kg) | Front(kg) | Side(kg) | Front(kg) | Side(kg) |
| 3.0         | 469.00*   | 404.30   | —         | —        | 469.00*   | 404.30   | —         | —        | —         | —        |
| 2.5         | 497.70*   | 350.70   | —         | —        | 512.10*   | 424.90   | —         | —        | —         | —        |
| 2.0         | 536.00*   | 313.50   | 550.40*   | 445.60   | 536.00*   | 424.90   | 670.00*   | 515.70   | —         | —        |
| 1.5         | 540.80*   | 288.80   | 564.70*   | 440.10   | 612.60*   | 420.80   | 813.60*   | 528.10   | —         | —        |
| 1.0         | 555.10*   | 280.50   | 583.90*   | 429.10   | 703.50*   | 396.10   | 875.80*   | 503.30   | —         | —        |
| 0.5         | 574.30*   | 276.40   | 617.40*   | 407.10   | 703.50*   | 371.30   | 961.90*   | 470.30   | —         | —        |
| 0.0         | 612.60*   | 276.40   | 650.90*   | 396.10   | 813.60*   | 358.90   | 947.60*   | 449.70   | 1292.20*  | 598.20   |
| -0.5        | 650.90*   | 309.40   | —         | —        | 756.10*   | 367.20   | 861.40*   | 474.40   | 1196.40*  | 577.60   |
| -1.0        | 679.60*   | 363.10   | —         | —        | 679.60*   | 375.40   | 823.10*   | 466.20   | 1005.00*  | 573.50   |

## Notes:

- 1) Load with \* is limited by hydraulic capacity and based on ISO 10567. Rated loads do not exceed 87% of hydraulic capacity.
- 2) Load without \* is limited by tipping load and based on ISO 10567. Rated loads do not exceed 75% of tipping load.

**ATLAS KOMPAKT GMBH**  
 Stedinger Straße 324  
 27751 Delmenhorst  
 Germany  
[WWW.ATLAS-KOMPAKT.COM](http://WWW.ATLAS-KOMPAKT.COM)

